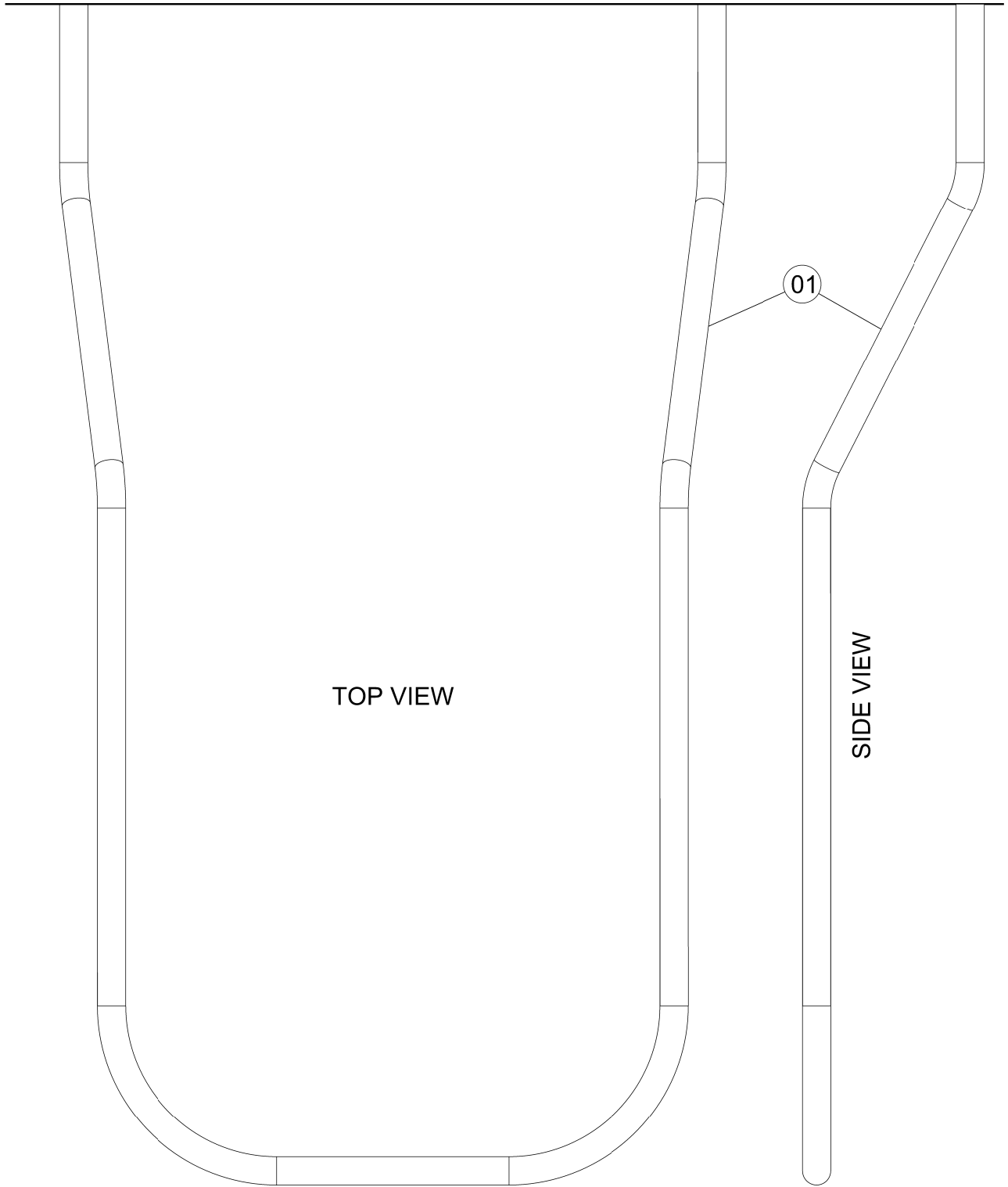


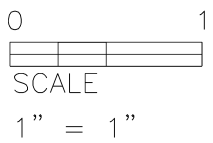
MATCH LINE A-A



TOP VIEW

SIDE VIEW

01

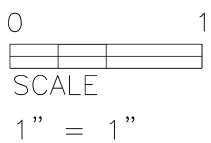
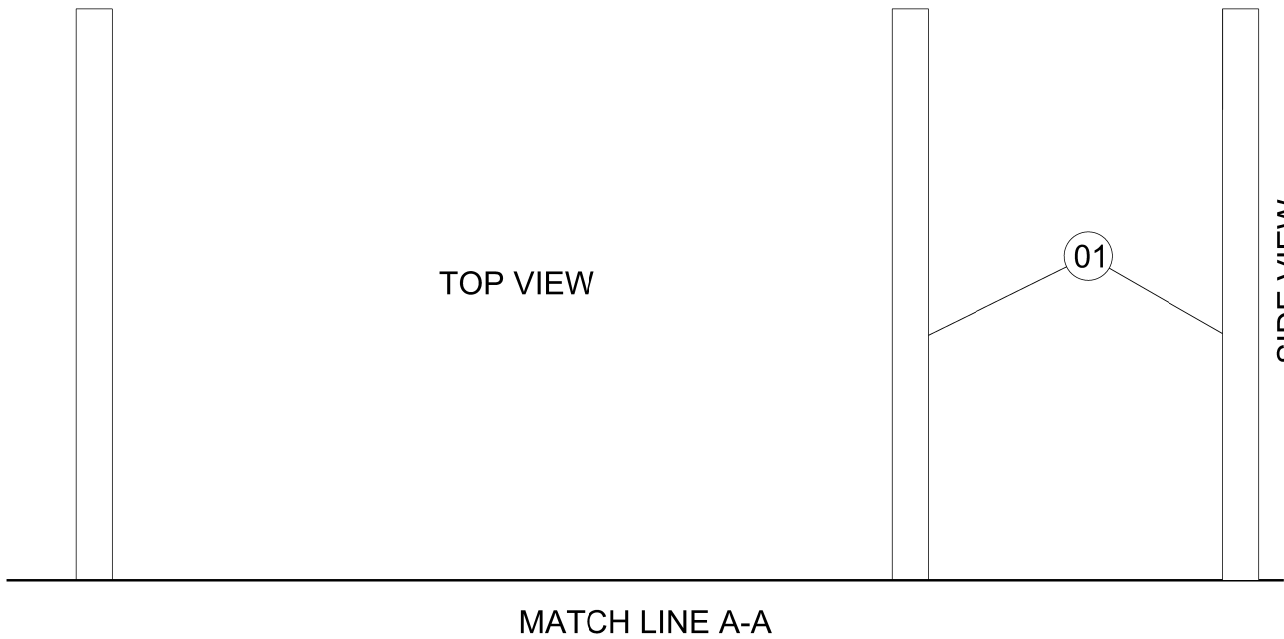
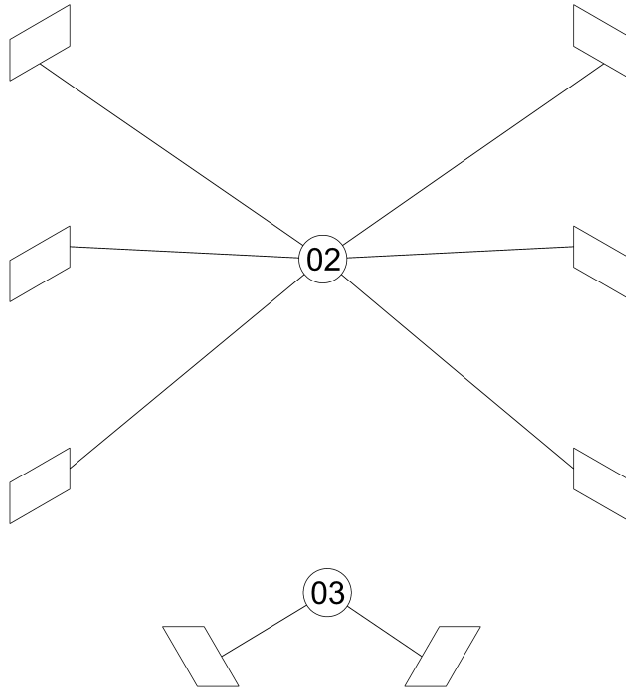


Project Name
Bouncer

UPPER FRAME RAIL

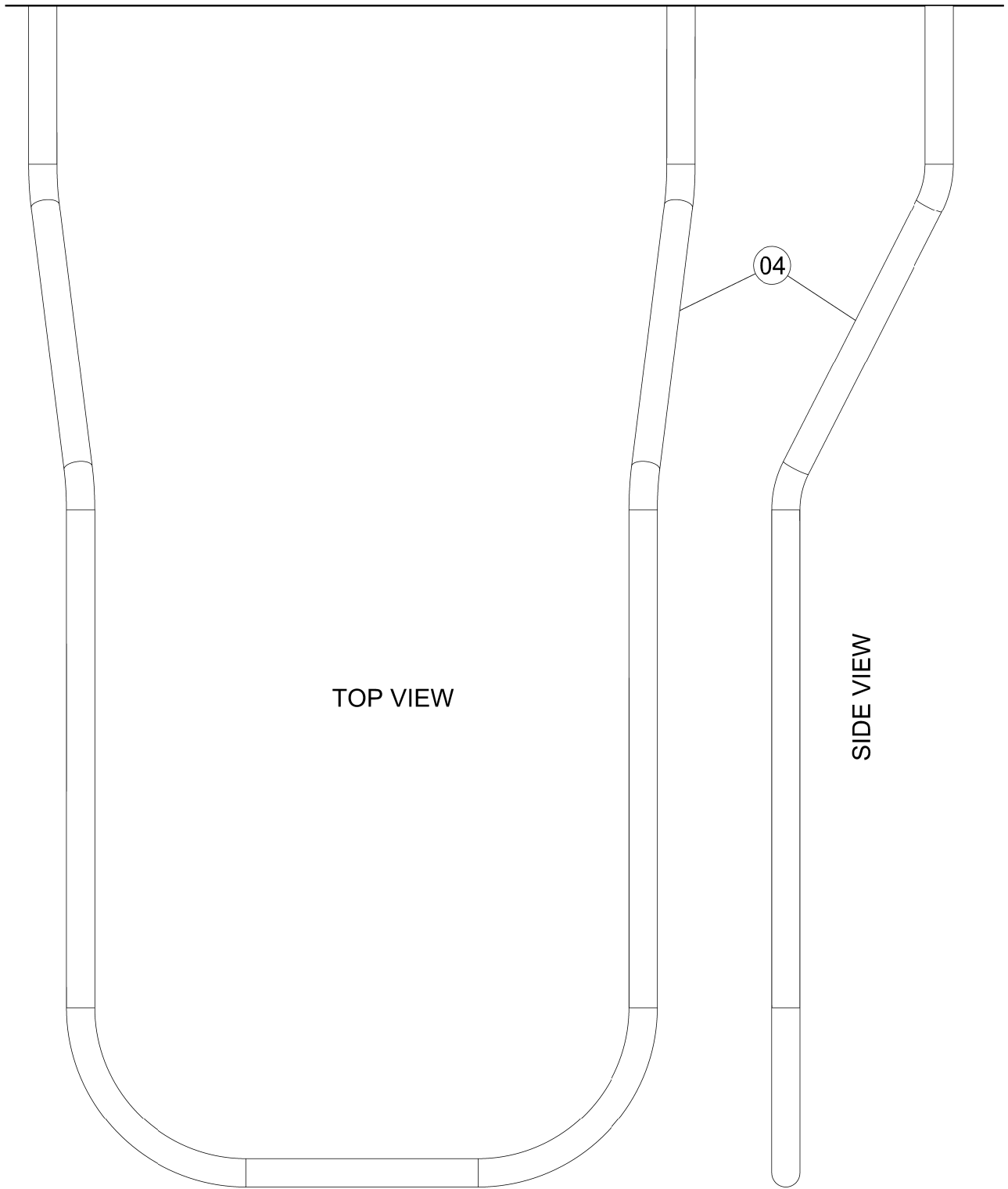
Figure 1

CHASSIS BRACES



Project Name Bouncer	UPPER FRAME RAIL & BRACES	Figure 2
-------------------------	------------------------------	----------

MATCH LINE B-B



TOP VIEW

SIDE VIEW

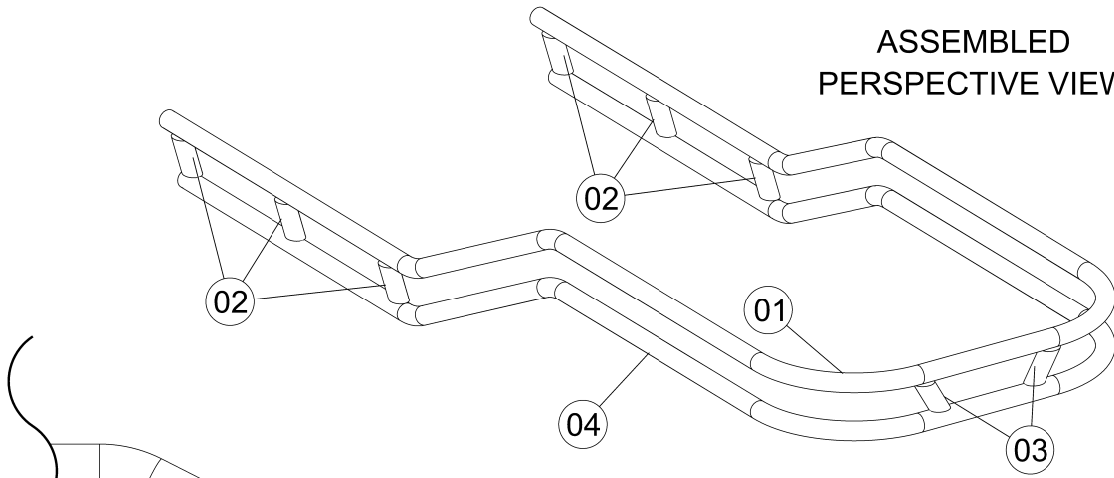


Project Name
Bouncer

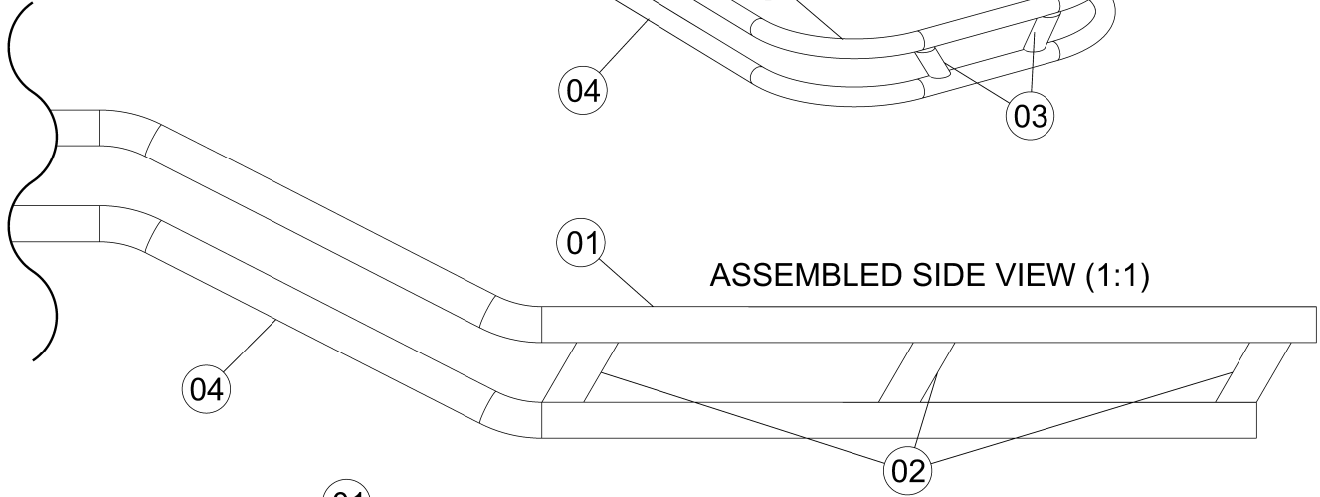
LOWER FRAME RAIL
TEMPLATE

Figure 3

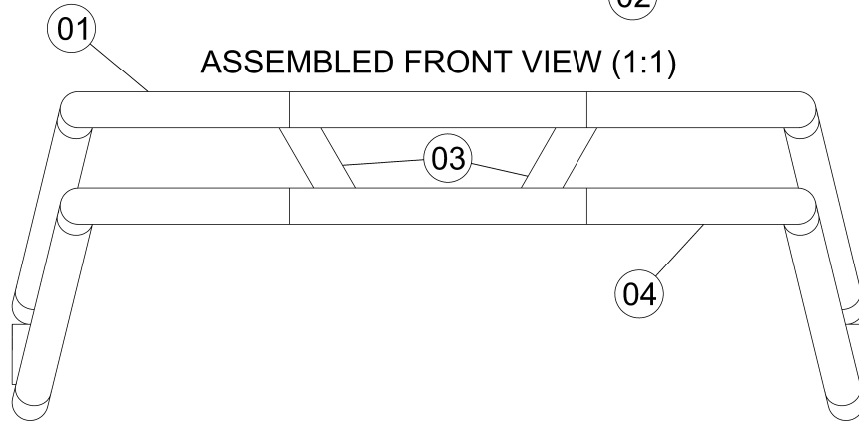
ASSEMBLED
PERSPECTIVE VIEW



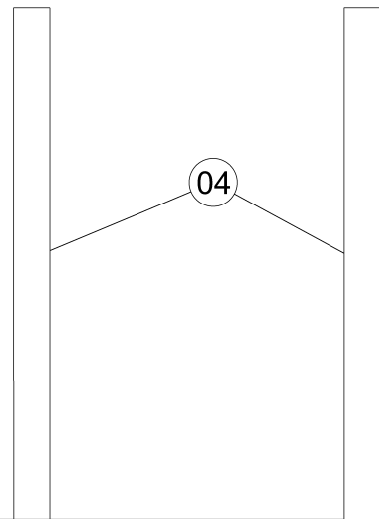
ASSEMBLED SIDE VIEW (1:1)



ASSEMBLED FRONT VIEW (1:1)

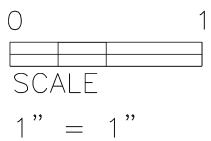


TOP VIEW



SIDE VIEW

MATCH LINE B-B



Project Name
Bouncer

LOWER FRAME RAIL
& ASSEMBLY

Figure 4

TOP OF B-PILLAR
BEND TEMPLATE

05

TOP OF B-PILLAR

TIE-IN BARS

06

BEND RADIUS
TEMPLATE

ROCKER BAR

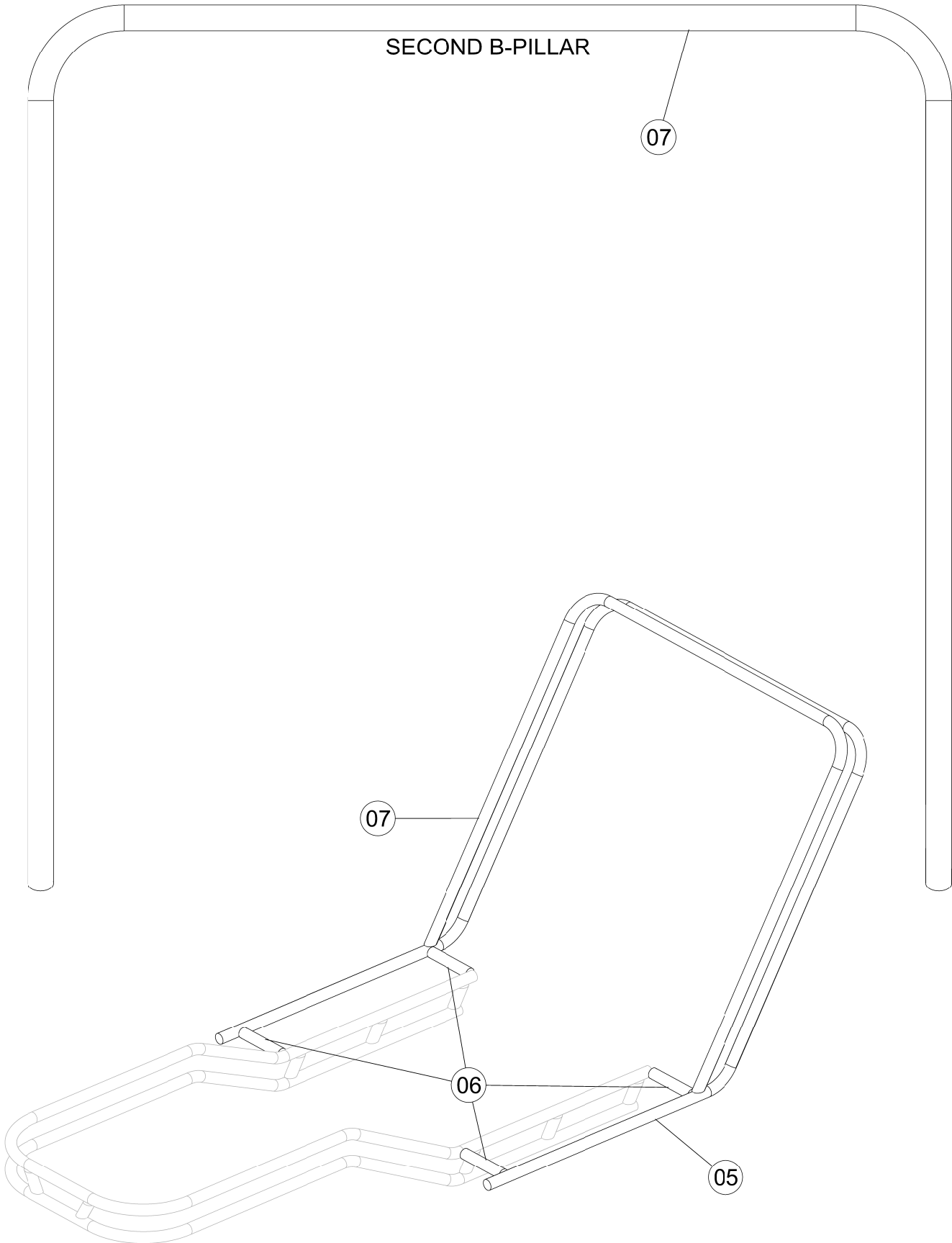
0 1
SCALE
1" = 1"

Project Name
Bouncer

B-PILLAR & BRACES

Figure 5

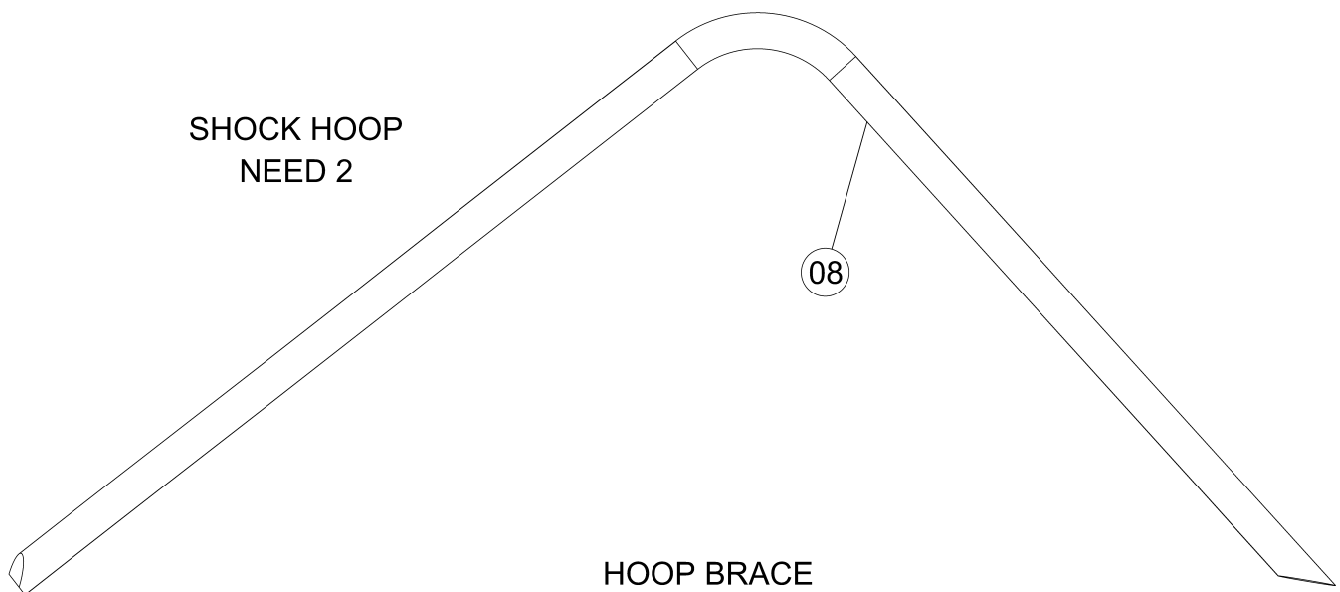
SECOND B-PILLAR



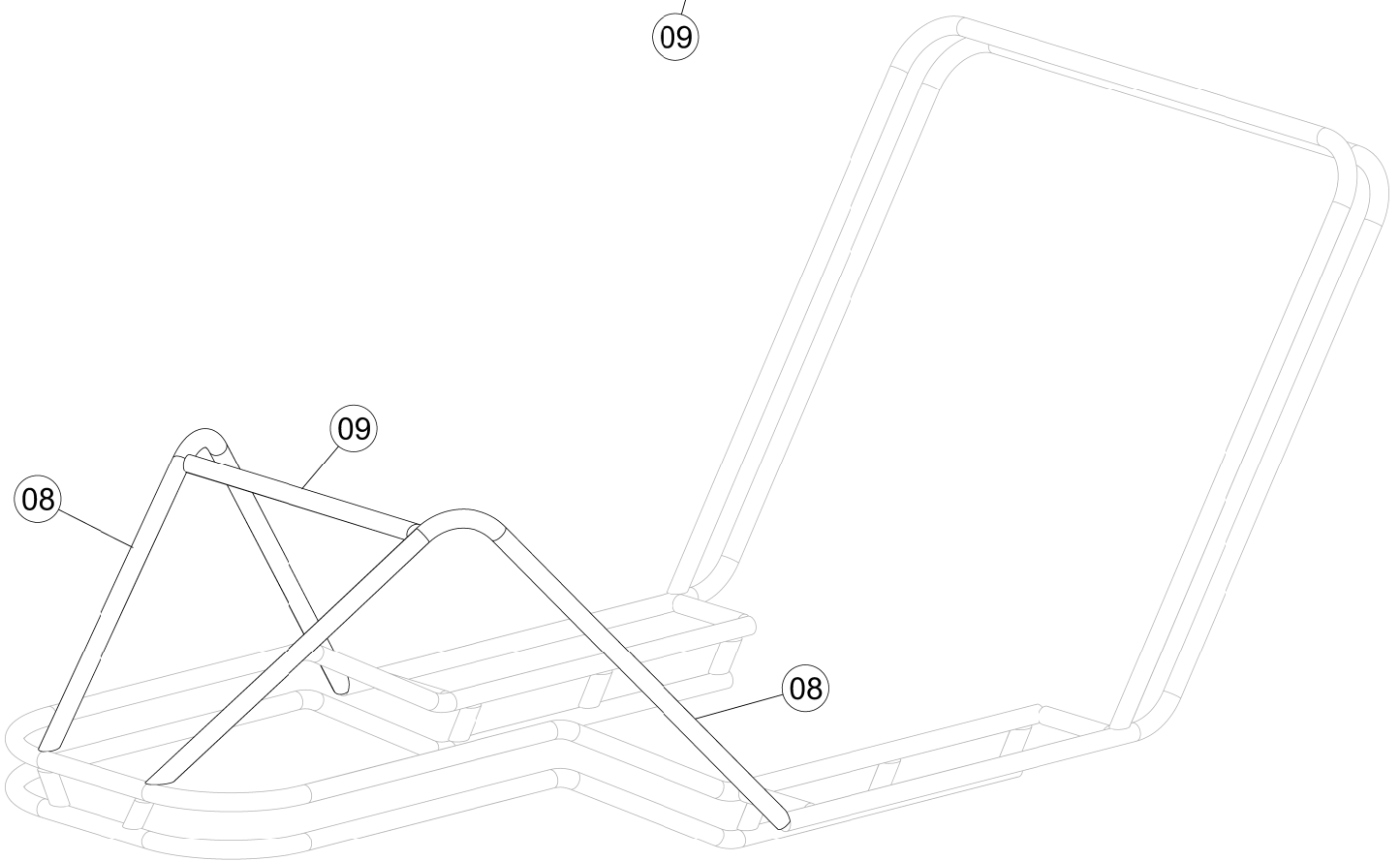
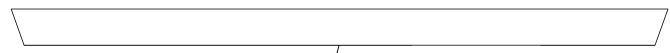
0 1
SCALE
1" = 1"

Project Name Bouncer	SECOND B-PILLAR & ASSEMBLY	Figure 6
-------------------------	-------------------------------	----------

SHOCK HOOP
NEED 2

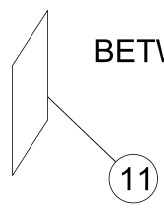


HOOP BRACE

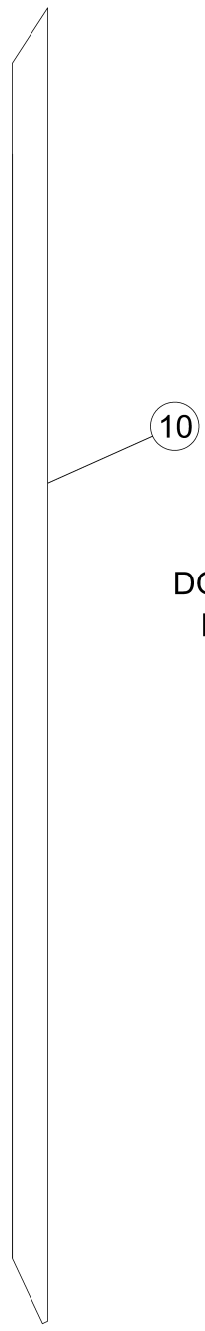


0 1
SCALE
1" = 1"

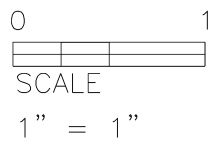
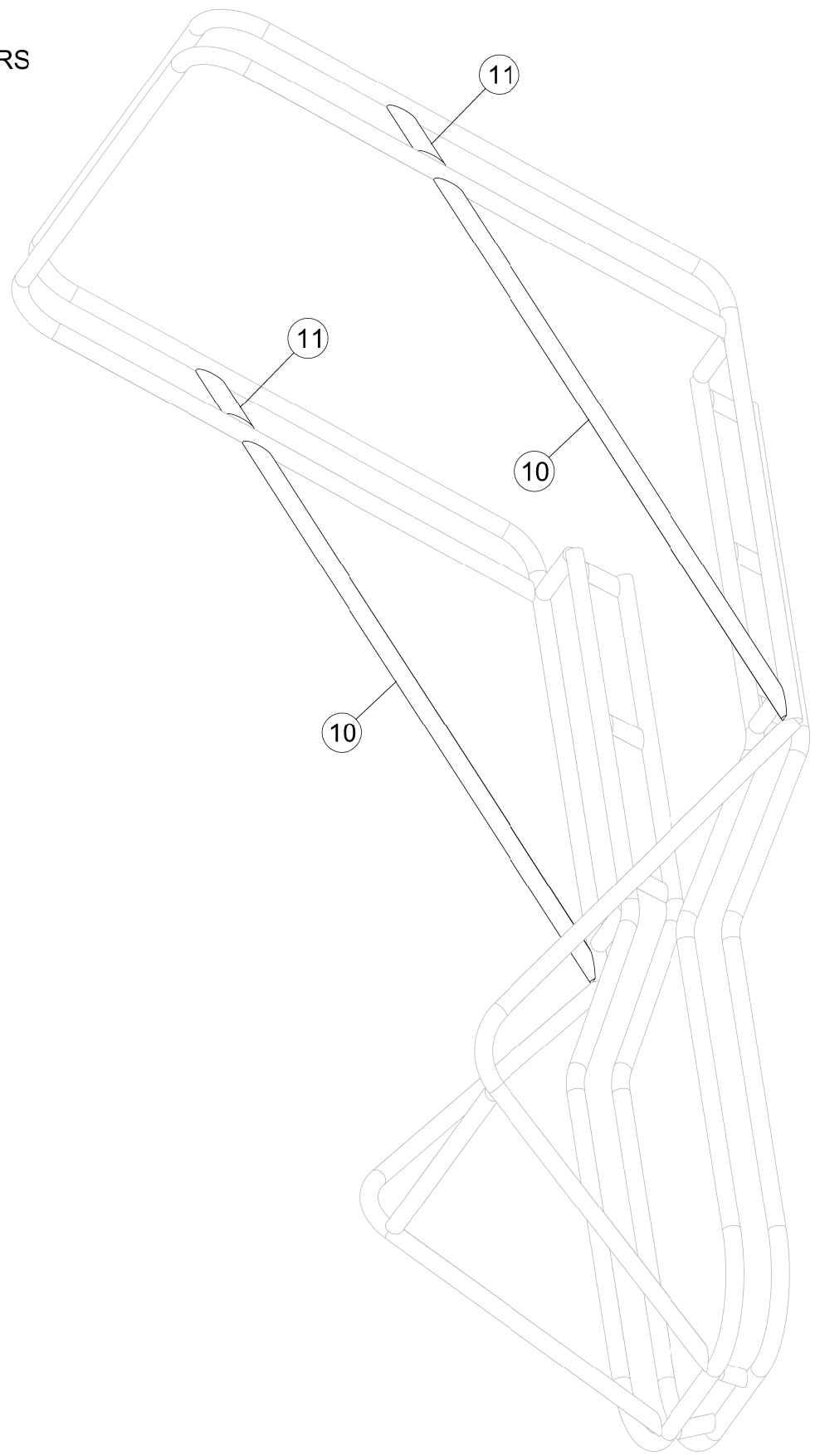
Project Name Bouncer	FRONT SHOCK HOOPS	Figure 7
-------------------------	-------------------	----------



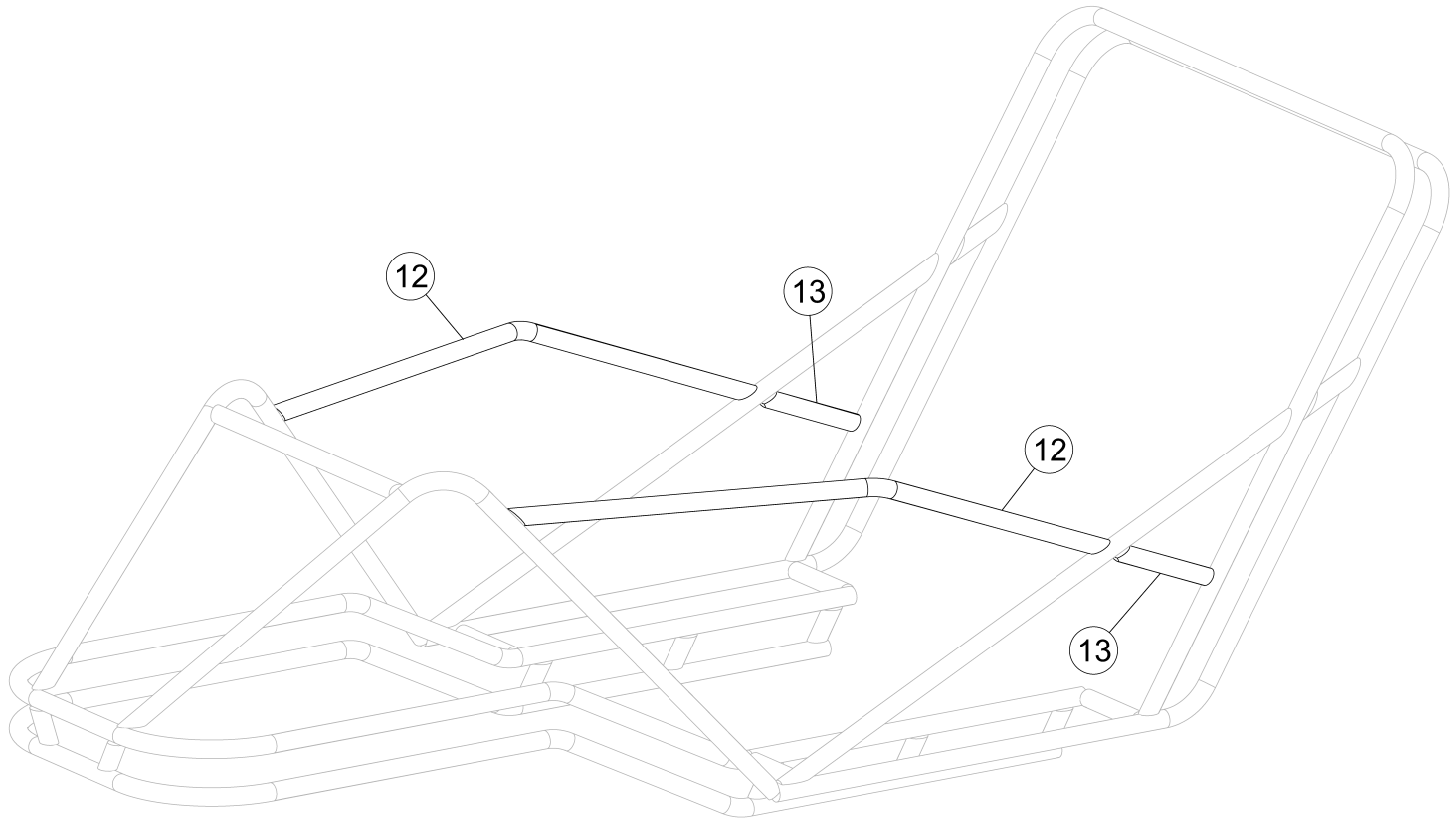
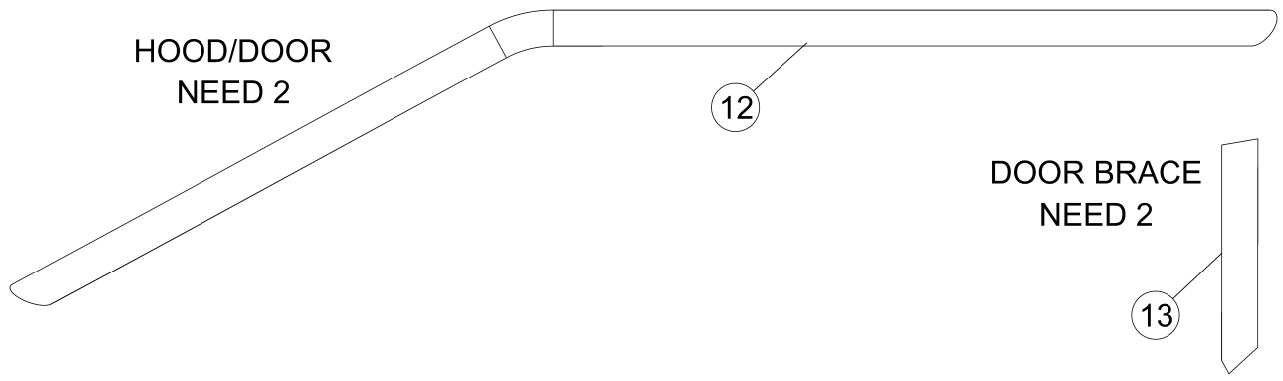
BETWEEN B-PILLARS
NEED 2



DOOR BAR
NEED 2



Project Name Bouncer	DOOR BAR	Figure 8
-------------------------	----------	----------

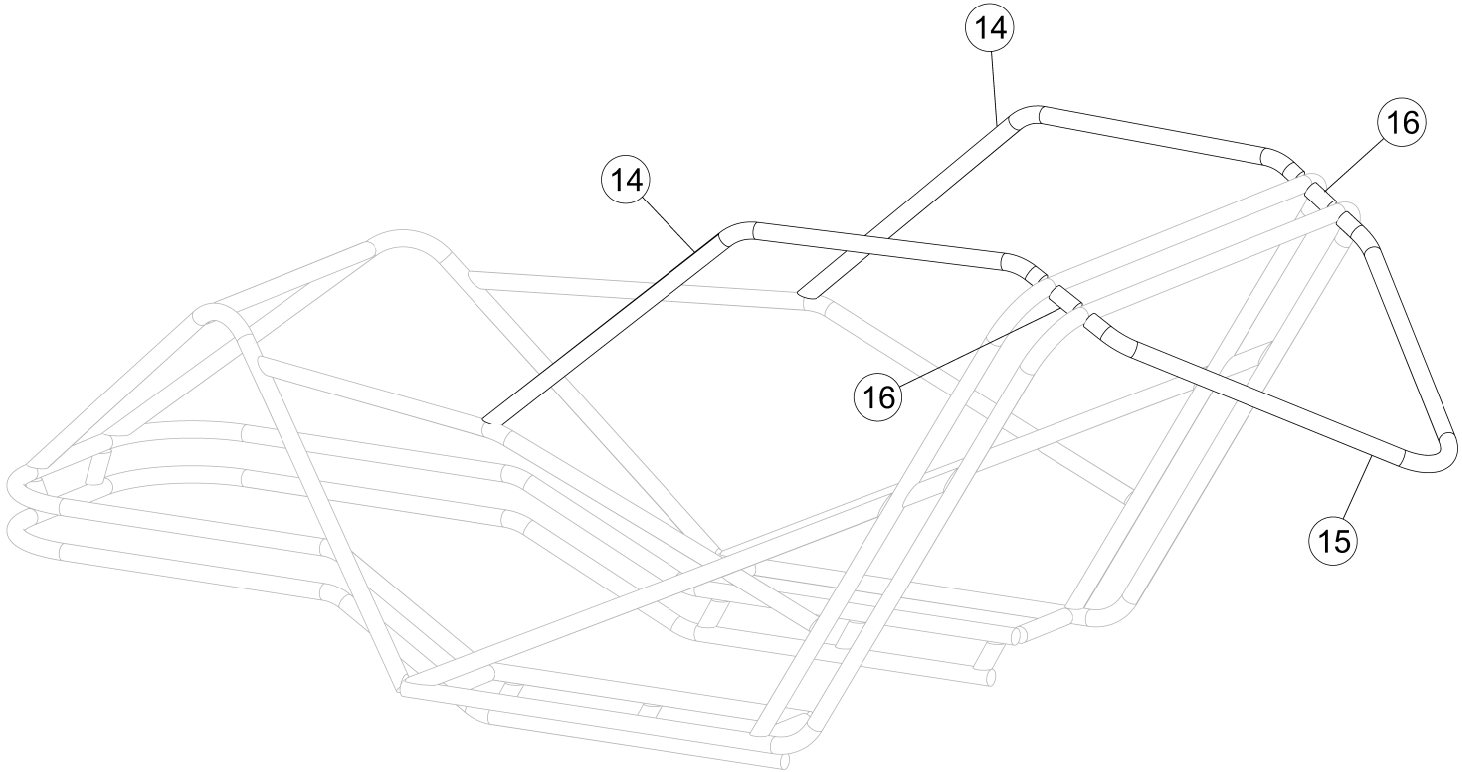
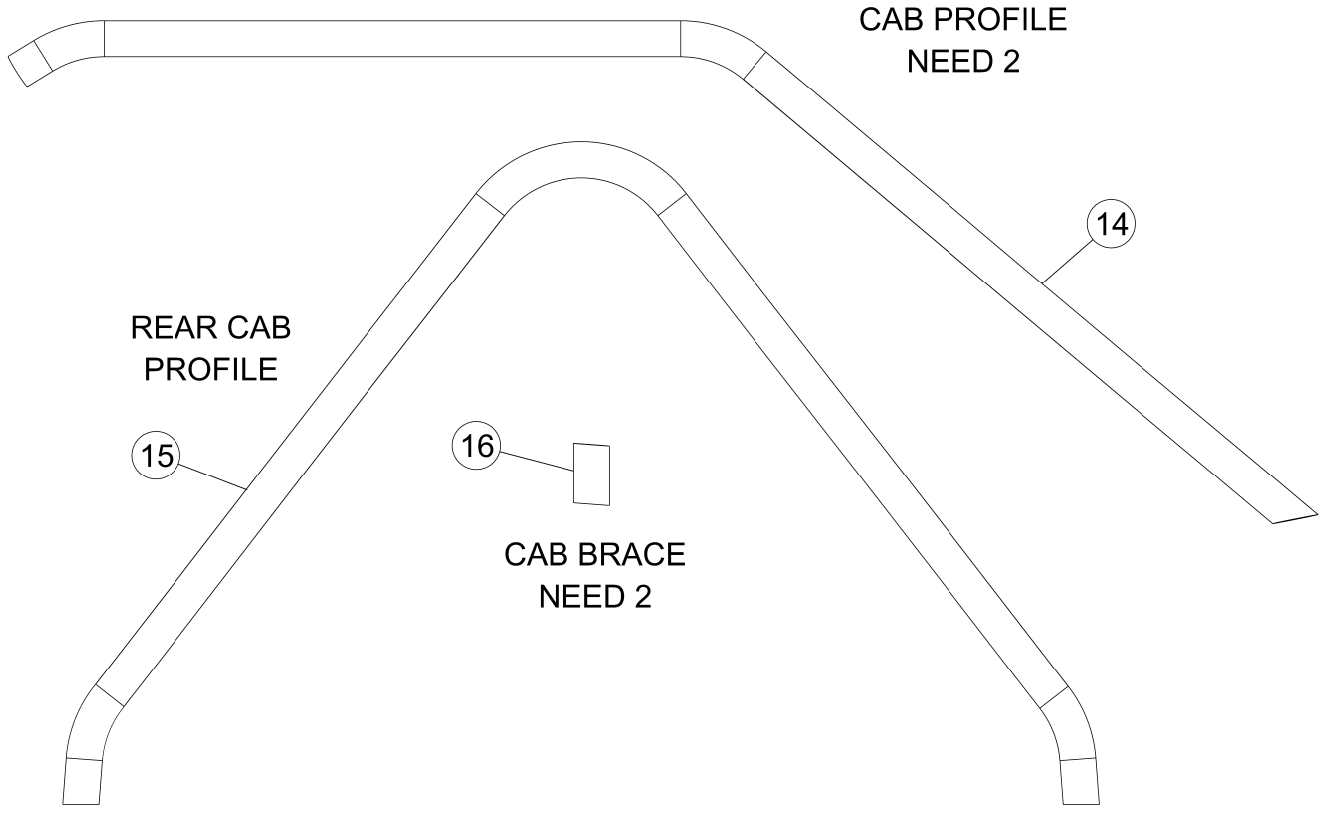


0 1

SCALE

1" = 1"

Project Name Bouncer	DOOR/HOOD BARS	Figure 9
-------------------------	----------------	----------

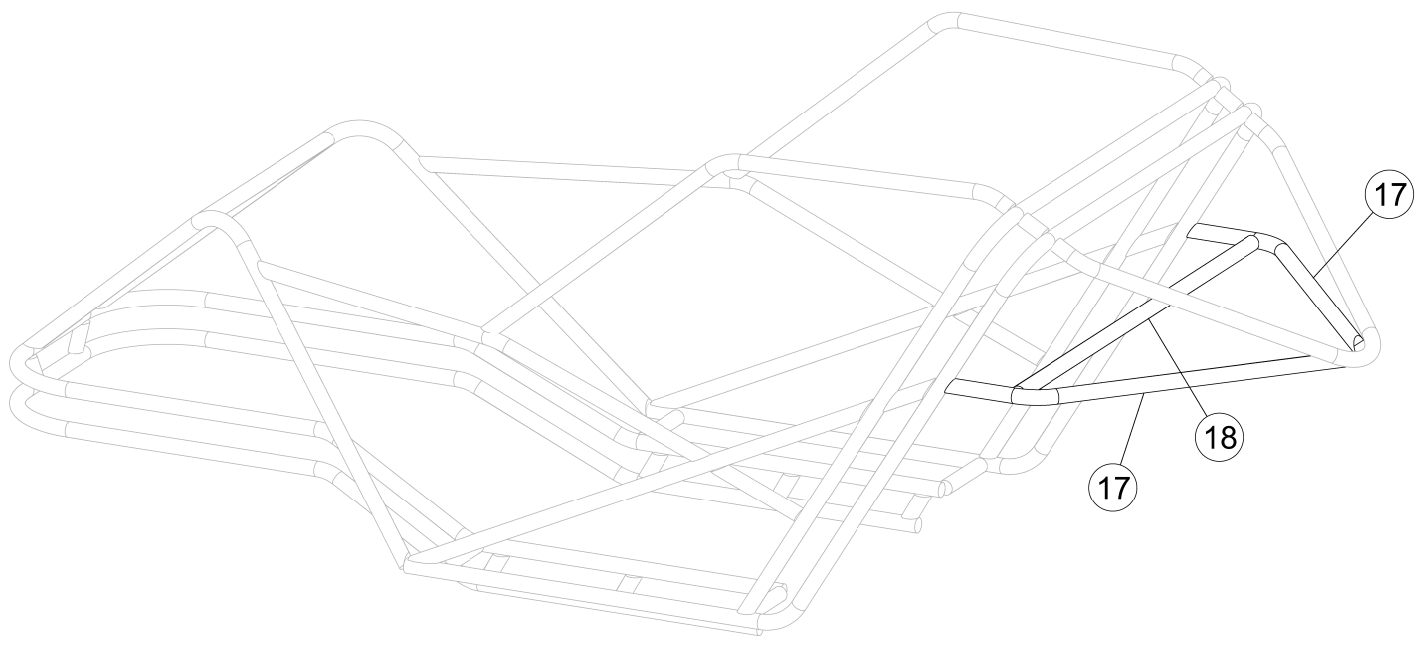
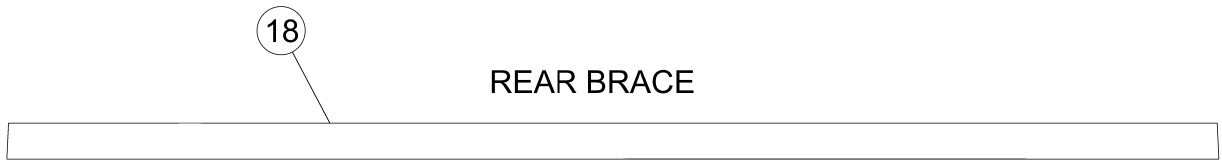


0 1

SCALE

1" = 1"

Project Name Bouncer	CAB PROFILE	Figure 10
-------------------------	-------------	-----------



0 1
SCALE
1" = 1"

Project Name Bouncer	REAR BELT LINE	Figure 11
-------------------------	----------------	-----------

WINDSHIELD BRACE
NEED 2

19



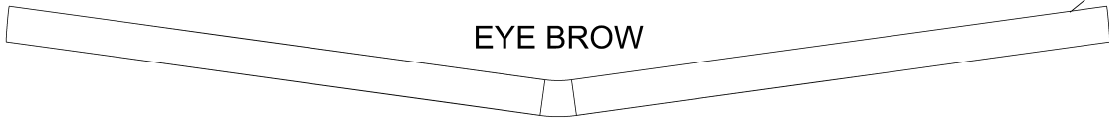
ROOF BRACE
NEED 2

20



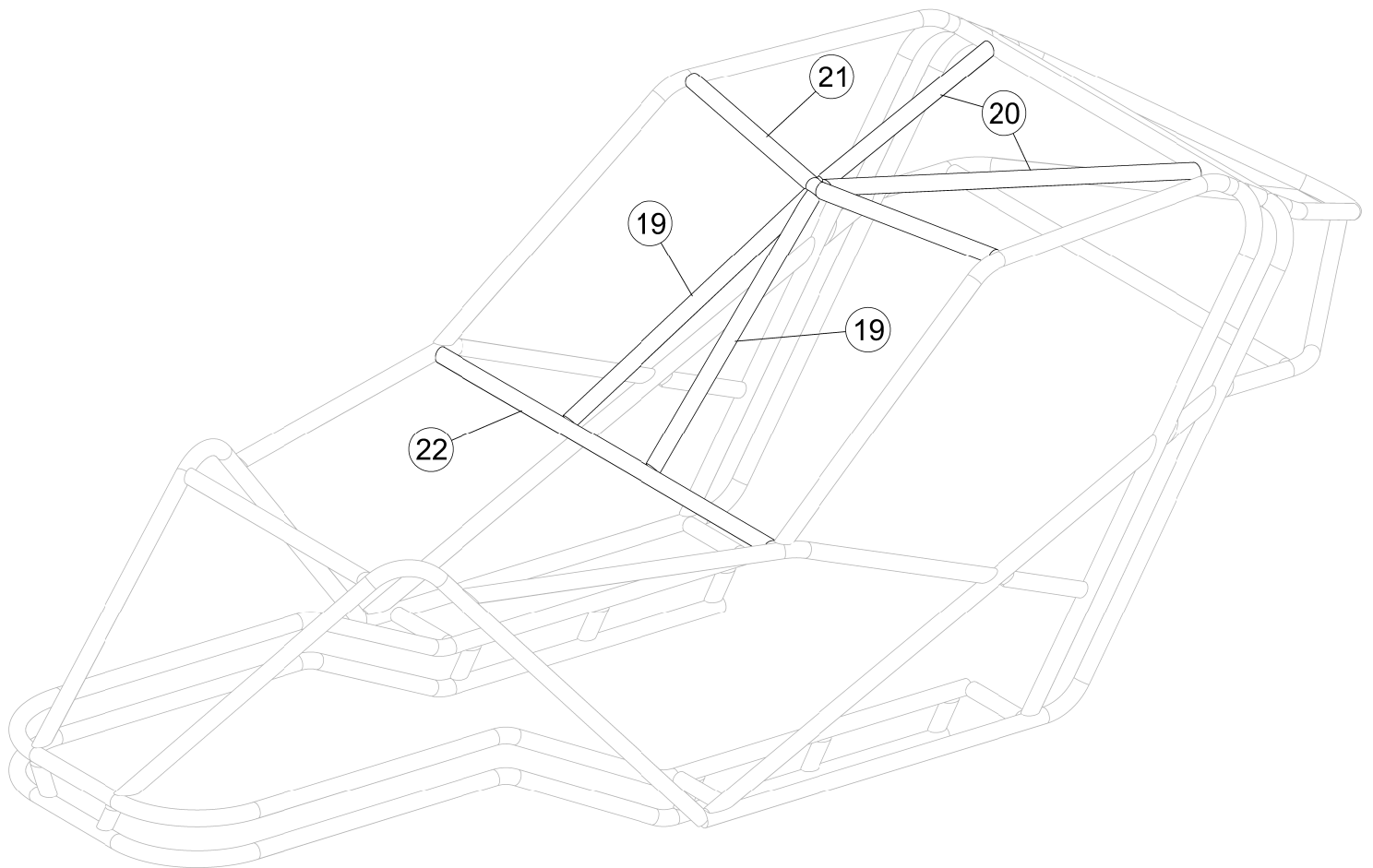
EYE BROW

21



COWL BRACE

22



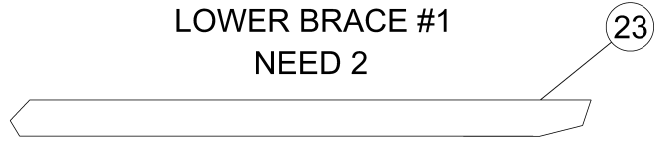
0 1
SCALE
1" = 1"

Project Name
Bouncer

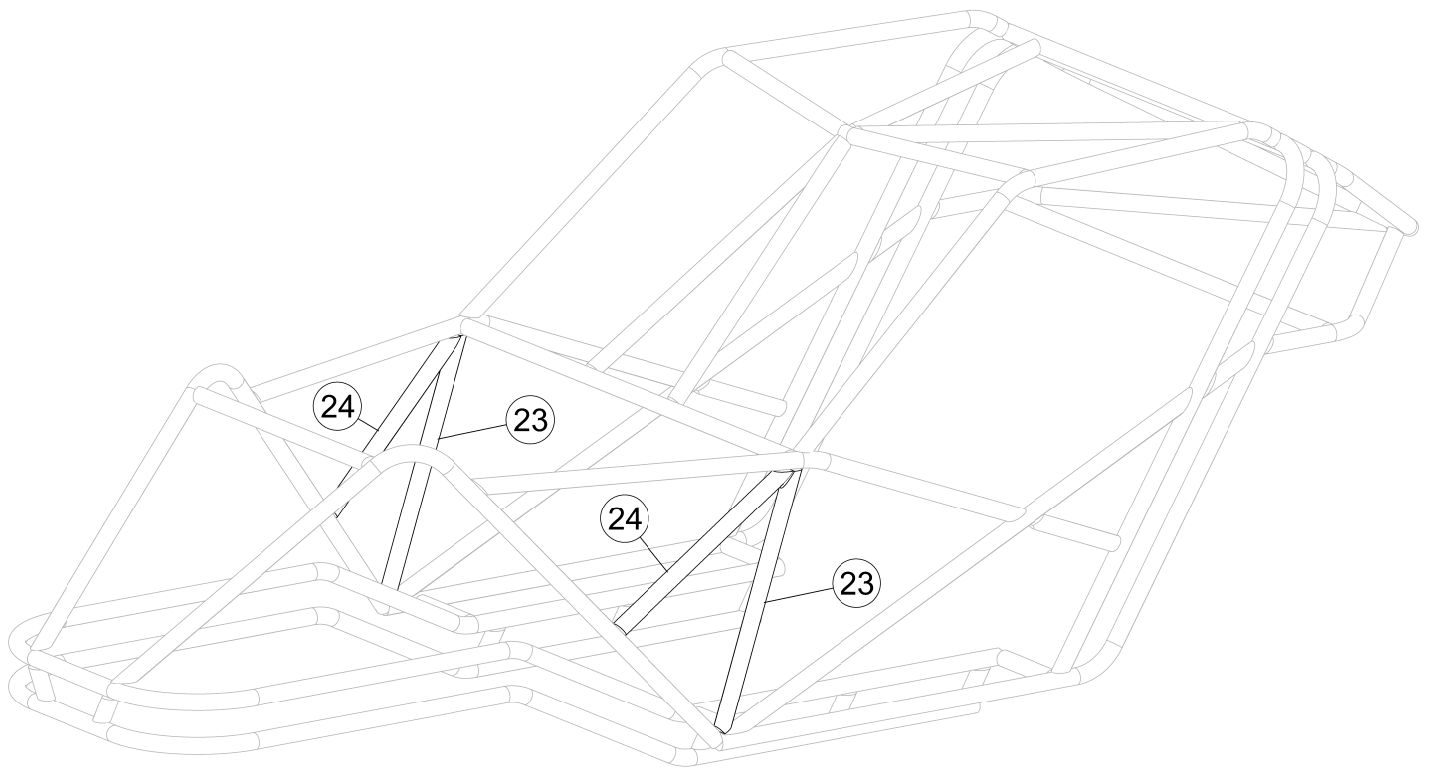
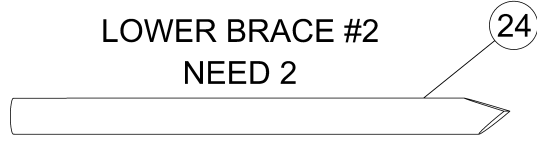
ROOF BRACING

Figure 12

LOWER BRACE #1
NEED 2



LOWER BRACE #2
NEED 2



0 1
SCALE
1" = 1"

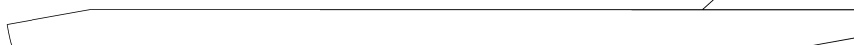
Project Name
Bouncer

LOWER CAB BRACING

Figure 13

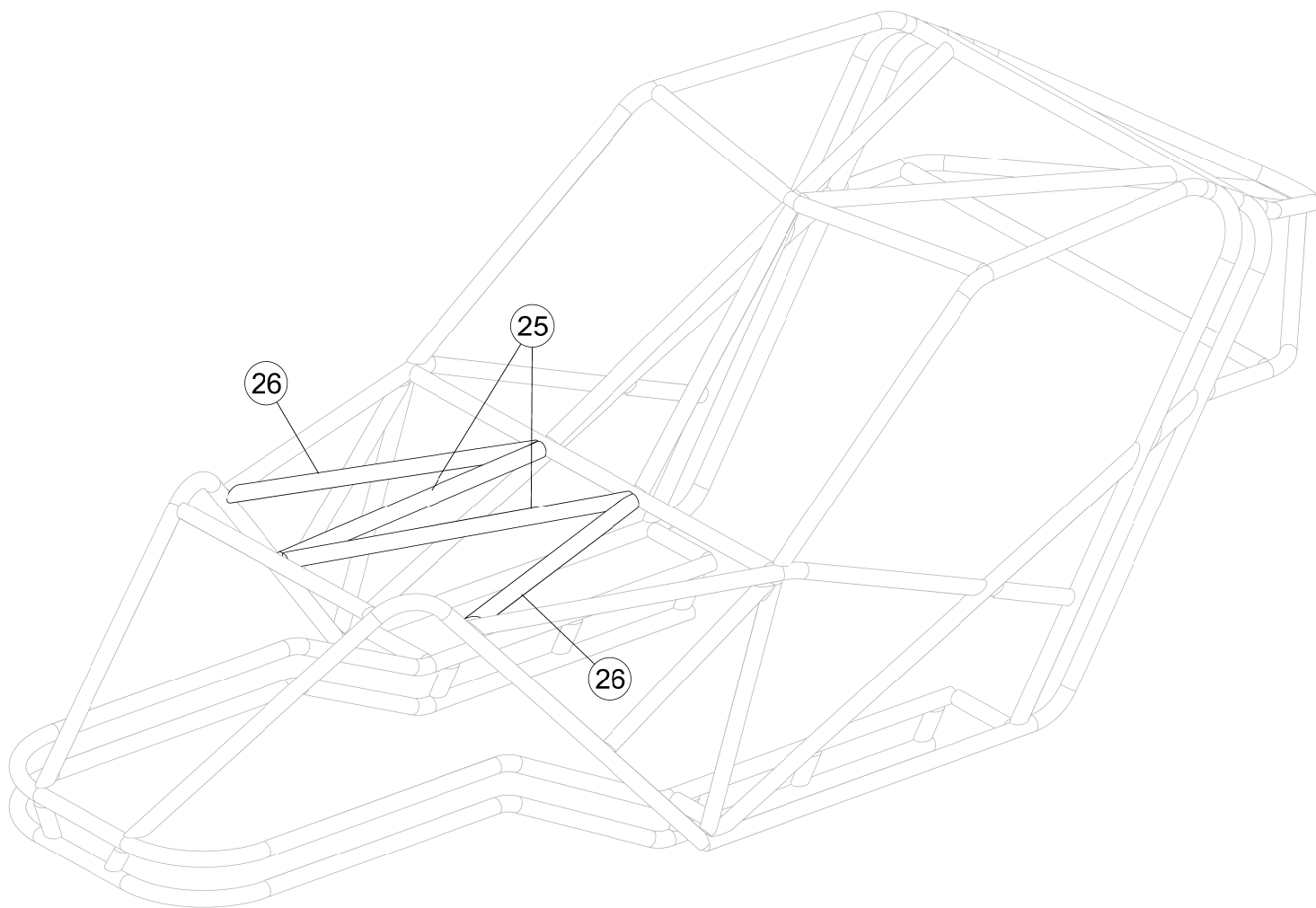
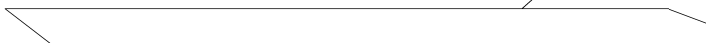
INSIDE HOOD BRACE
NEED 2

25



OUTSIDE HOOD BRACE
NEED 2

26



0 1
SCALE
1" = 1"

Project Name
Bouncer

HOOD BRACING

Figure 14

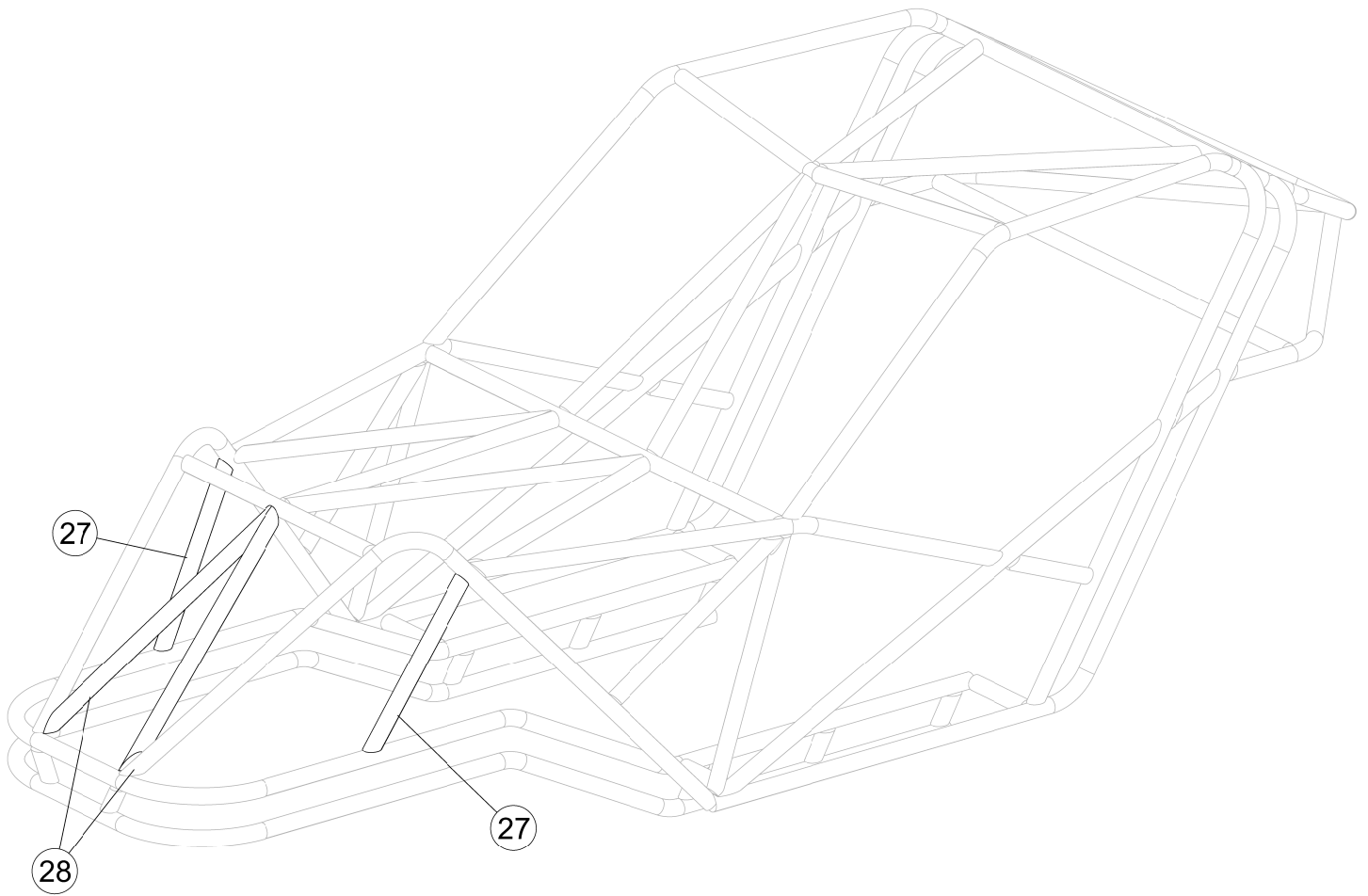
LOWER SHOCK BRACE
NEED 2

27



GRILL BRACE
NEED 2

28



0 1
SCALE
1" = 1"

Project Name
Bouncer

MORE BRACING

Figure 15

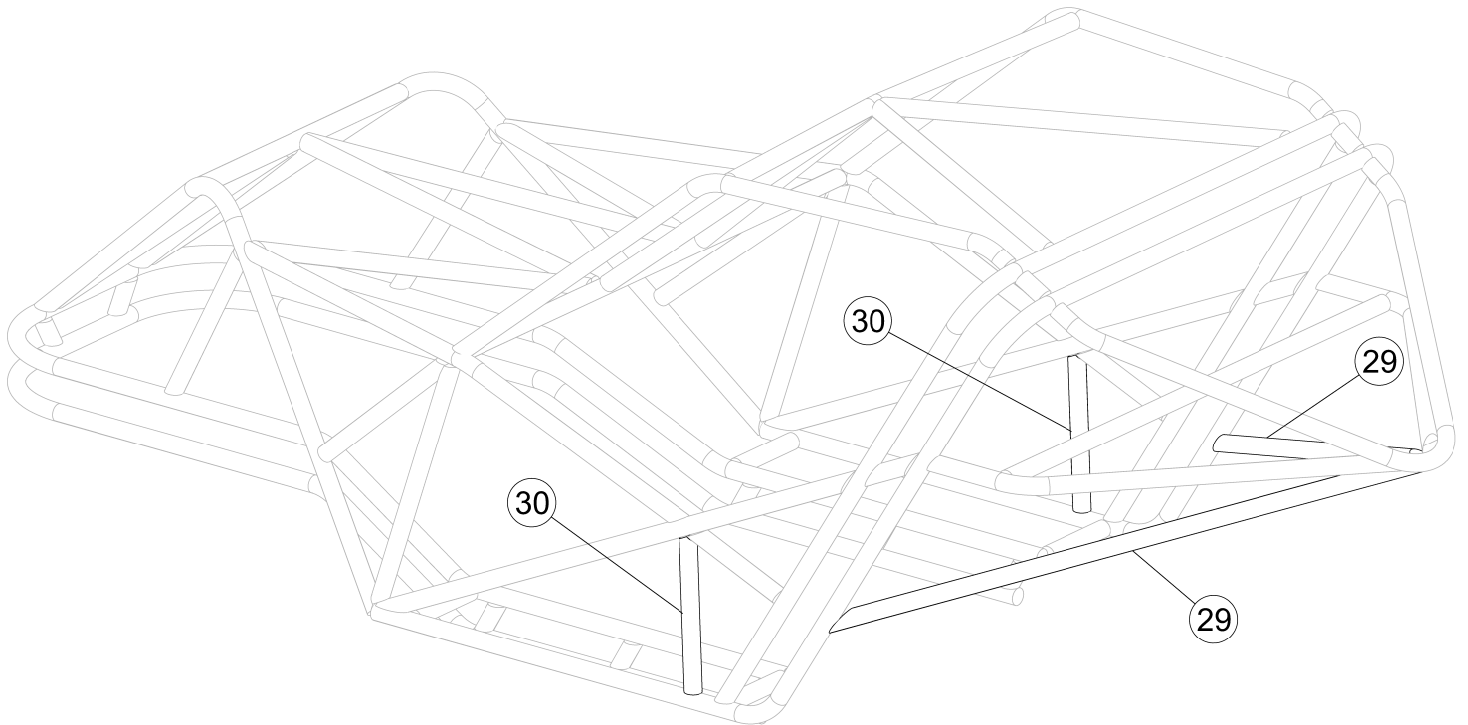
LOWER REAR BRACE
NEED 2

29



LOWER DOOR BRACE
NEED 2

30



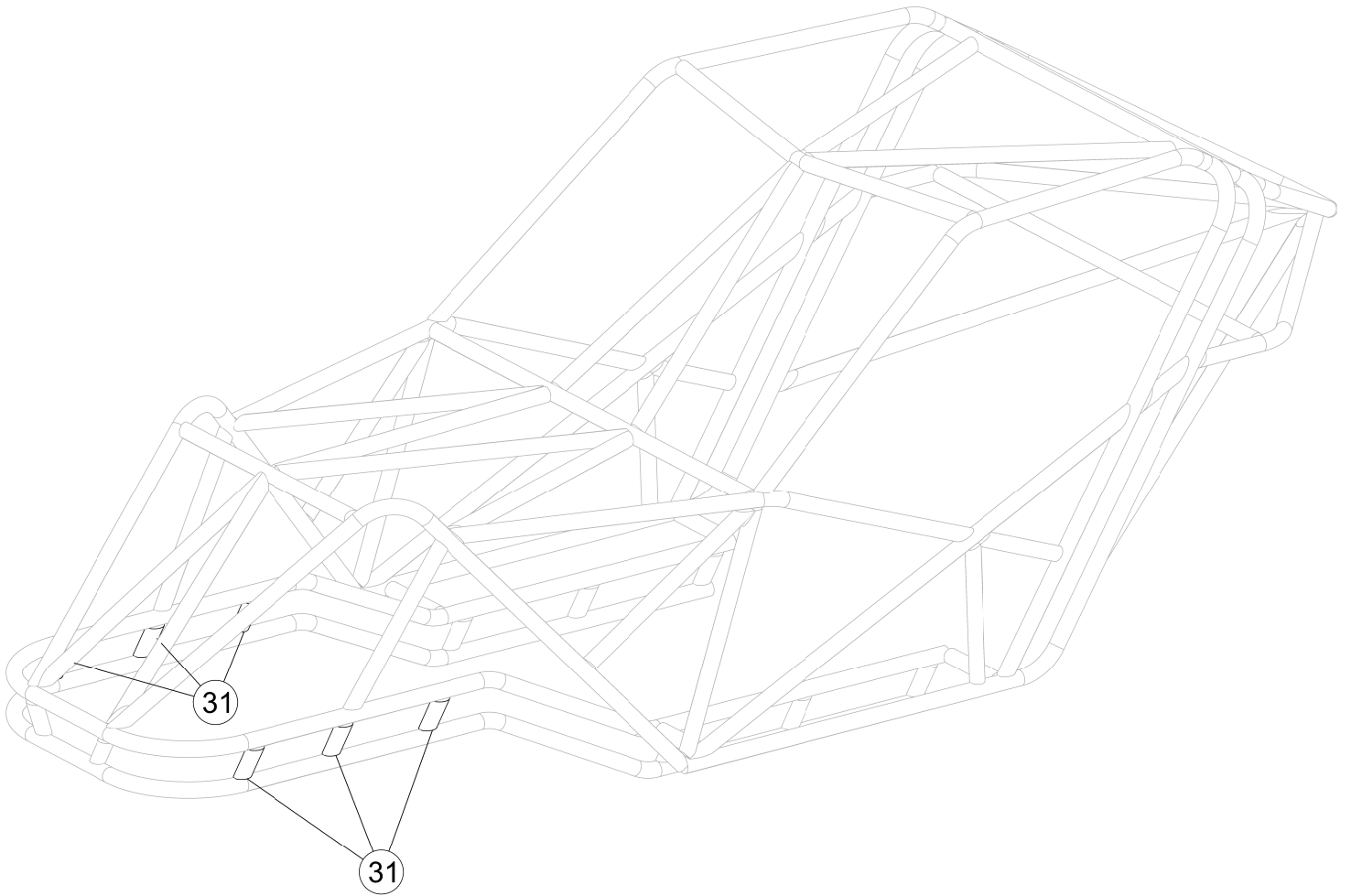
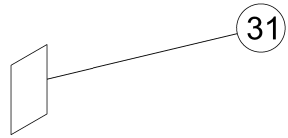
0 1
SCALE
1" = 1"

Project Name
Bouncer

AND MORE BRACING

Figure 16

LOWER FRAME BRACE
NEED 6



0 1
SCALE
1" = 1"

Project Name
Bouncer

AND MORE BRACING

Figure 17